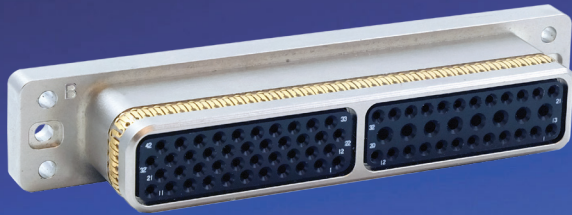
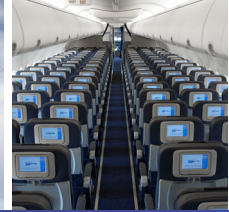


# MMA

FILTERED AND RECTANGULAR CONNECTORS



# MMA

**Multi** - Compact Blind Mate  
**Modular** - Infinite possibilities  
**ARINC Contact** - Proven Design

**Amphenol** CANADA  
MILITARY & AEROSPACE

# Amphenol CANADA

MILITARY & AEROSPACE

For more than 50 years, Amphenol Canada Corp. a subsidiary of Amphenol Corporation has been an international leader in the manufacture of Rectangular I/O and EMI Filtered Connectors.

We design, manufacture and test EMI / EMP filter and non-filter connectors, which are used worldwide in military, aerospace, and commercial applications. As part of Amphenol Corporation, we have the advantage of access to technologies and processes of Amphenol's worldwide facilities. Our expertise in understanding and supporting our customers' interconnect needs has earned us a reputation of excellence among the world's leading users of electronic components.

## CUSTOMER SERVICE

At Amphenol Canada, customer service is a solid commitment from all our employees. Our product managers, application engineers, product specialists, and sales representatives are able to answer your questions and assist you in choosing the right connectors for your applications.

Using Amphenol's on-line computer system, we are able to promptly update you on your order status, provide you with price and delivery quotations, and address any problems or questions you might have.

Whether you need standard or custom designed connectors, our marketing department is your liaison with Amphenol Canada's engineering, quality and manufacturing experts.

## QUALITY AND RELIABILITY

Certified to ISO 9001:2015+ AS9100D  
Amphenol Canada's broad base of customers and the high levels of technology in which they are involved make it essential that Amphenol's own products are of the highest quality and reliability.

Please contact us for RoHS requirements.



## TABLE OF CONTENTS

Performance and Specifications . . . . .	4
Introduction   Material Specification . . . . .	5
How to Order . . . . .	6-8
Insert Arrangements Size 1 (A/B) (C) . . . . .	9
Insert Arrangements Size 2 & 3 (A/B) . . . . .	10
Insert Arrangements Size 2 & 3 (C) . . . . .	11
MMA Plugs . . . . .	12
Plug Panel Cutouts . . . . .	13
MMA Receptacles . . . . .	14
Receptacles Panel Cutouts . . . . .	15
Plug Shell Dimensions, Float Mount Springs . . . . .	16
Receptacle Shell Dimensions, Float Mount Springs . . . . .	17
<b>Contacts:</b>	
Contact Data, Crimp, PC Tails . . . . .	18
Contact Data, Transceivers, and Covers . . . . .	19
Contacts Crimp Pin & Sockets . . . . .	20
How to Order Backshells . . . . .	21
<b>Filter MMA:</b>	
Filter Overview . . . . .	22
Filter Parameters . . . . .	23
Filter Construction, Technical Details . . . . .	24
Filter Plots . . . . .	25
Filter How-to-order . . . . .	26

# Performance and Material Specifications



PERFORMANCE SPECIFICATIONS	
Dielectric withstanding voltage (DWV):	1500 Vrms 500 Vrms @ 50,000 ft. (15,240m)
Contact continuous current ratings:	Size 22 - 5.0A; Size 20 - 7.5A Size 16 - 13.0A; Size 12 - 23.0A
Contact resistance:	
Size 22:	8.0 milliohms, initial (max.) 11.0 milliohms, conditioned (max.)
Size 20:	7.0 milliohms, initial (max.) 8.5 milliohms, conditioned (max.)
Size 16:	3.5 milliohms, initial (max.) 5.0 milliohms, conditioned (max.)
Size 12:	2.0 milliohms, initial (max.) 2.5 milliohms, conditioned (max.)
Insulation resistance:	5.0 gigaohms min. at 500 VDC
Engagement/separation force:	Shell size 1 - 27 lbs. (120N) max. Shell size 2 - 60 lbs. (267N) max. Shell size 3 - 105 lbs. (467N) max.
Durability:	500 cycles min. - mating & unmating
Temperature range:	65°C (-65° F) to +125°C (+275° F)
Fluid immersion (Class A only) resistance:	(1) Hydraulic fluid per MIL-H-5606 (2) Lubricating oil (synthetic) per MIL-L-23699 (3) 1:3 mix of isopropyl alcohol & mineral spirits per FED. SPECS. TT-I-735 & TT-T-291 respectively
Vibration:	MIL-STD-1344, Method 2005.1, condition value E: random - 16.4G minimum severity: 8 hours in each of 3 mutually perpendicular planes with 100mA electrical load. No visible damage, breakage, cracking or loosening of parts and no discontinuities exceeding 1 microsecond.
Shock	MIL-STD-1344, Method 2004.1, test condition A: Three shocks in each direction along each of 3 axes, mutually perpendicular to each other. No visible damage, breakage, cracking or loosening of parts and no discontinuities exceeding 1 microsecond.



MMA MATERIALS		
DESCRIPTION	MATERIAL	FINISH
Shell & Backshell	Aluminum Alloy or Composite	"Electroless Nickel, Chem Film (Mil-C-5541, Class 3), RoHS Chem Film (MIL-DTL-5541, Type II, Class 3) OD Chromate, Tin, Gold, Zinc Nickel, Yellow CAD or Nickel Fluorocarbon Polymer (Durmalon)"
Hardware & Polarizing Keys	Stainless Steel	Passivated or Nickel Plated
Inserts	Thermoset or Thermoplastic	---
	Aluminum Alloy	Nickel Plated
Grommets & Face Seal	Fluorosilicone Elastomer	---
EMI Spring	Copper Alloy	Nickel Plated, Gold
O-Ring	Fluorosilicone Elastomer	---
Contacts	Copper Alloy	Gold over Nickel. Solder Dipping is available in both RoHS and non-RoHS Compliance

The MMA series is the ultimate solution to fit your needs

Amphenol CANADA

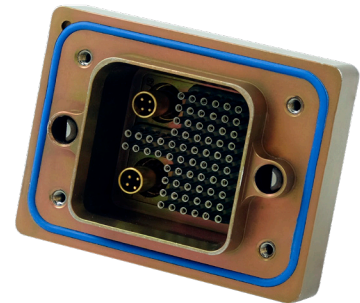


# MMA

**MULTI** - Compact Blind Mate  
**MODULAR** - Infinite Possibilities  
**ARINC CONTACTS** - Proven Design

## INTRODUCTION

MMA combines many of the best features from popular product lines including ARINC 600's power, RF, fiber optic and quadrx contacts, low mating forces and shrouded size 22 pins. Sealing capabilities are comparable to M83527 with shell seal, face seal and grommet. Modular, removable inserts are effective for separating signal and power contacts, while providing ease of installation and customization in the field. Choose our 360° EMI spring option if shielding effectiveness is a concern. Customer specific designs lead to endless possibilities.



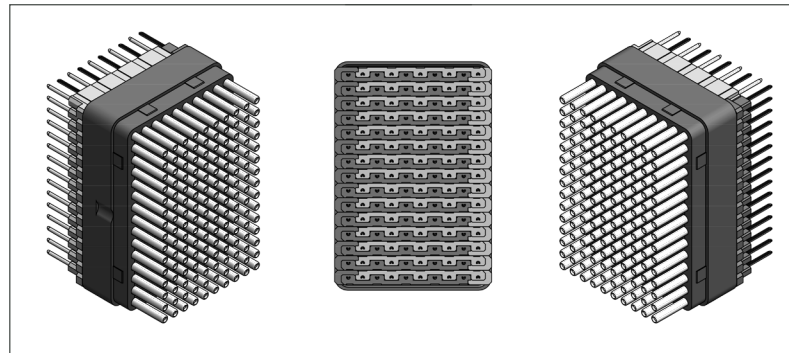
## NEED CONNECTOR FILTERING?

Amphenol Canada can filter any connector design that you may need. See our EMI Filter Connector Catalog or contact Amphenol Canada directly for more information.

## NEXT GEN ARINC

Amphenol Canada features our Next Gen ARINC technology, offering up to 25% weight and cost savings.

The size 22 socket PCB contact is precision stamped and then over-molded to offer a lighter weight and high performance designed contact.



## The **NEXT GEN ARINC** of High-quality Interconnects

Contact Amphenol Canada for more information at 416-291-4401 • [www.amphenolcanada.com](http://www.amphenolcanada.com)  
Download 2D drawings & 3D models using our online configurator.

# How to Order - MMA, MMB, MMC, MMD

MMA

## PART NUMBER KEY

1. RoHS Compliance	2. Connector Series	3. Direction of Cavity	4. Shell Style	5. Shell Size	6. Insert Arrangement	7. Termination	8. Sealing Options	9. Shell Finish	10. Polarization Code	11. Deviation Code
E	MM	A-	P	2	AA	2	E	1	AB	-000















<b>1. ROHS COMPLIANCE</b>	<b>E</b>	RoHS Compliant (Omit for non-RoHS compliant connectors)
---------------------------	----------	---------------------------------------------------------

<b>2. CONNECTOR SERIES</b>	<b>MM</b>	Multi-Modular
----------------------------	-----------	---------------

<b>3. DIRECTION OF CAVITY</b>	<b>A-</b>	Horizontal, Size 1
	<b>B-</b>	Horizontal, Size 2
	<b>C-</b>	Vertical, Power Inserts (C), Size 1 and 2
	<b>D-</b>	Vertical, Signal Inserts (A/B), Size 1 and 2

<b>4. SHELL STYLE</b>	<b>P</b>	Plug, thru hole mount
	<b>R</b>	Receptacle, #4-40 tapped mount
	<b>C</b>	Plug, #4-40 tapped mount
	<b>T</b>	Receptacle, Thru hole mount
	<b>D</b>	Plug, Float & Spring Mount *Please consult factory for dimensions
	<b>V</b>	Receptacle, Float & Spring Mount *Please consult factory for shell dimensions

<b>5. SHELL SIZE</b>		<b>0</b>	Custom (additional inserts, multiple rows, mixed layouts, etc.)
<b>MMA Horizontal Size 1 Signal &amp; Power</b>		<b>1</b>	Size 1 (C & C), 2 Power inserts
		<b>2</b>	Size 1 (A/B & C), 1 Signal & 1 Power Inserts
		<b>3</b>	Size 1 (A/B & A/B), 2 Signal Inserts
		<b>4</b>	Size 1 (C & A/B), 1 Power & 1 Signal Inserts, (Reverse #2)
		<b>5</b>	Size 1 (C), 1 Power Insert
		<b>6</b>	Size 1 (A/B), 1 Signal Insert



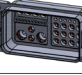
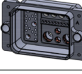
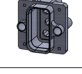
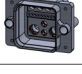

<b>5. SHELL SIZE</b>		<b>0</b>	Custom (additional inserts, multiple rows, mixed layouts, etc.)
<b>MMB Horizontal Size 2 Signal &amp; Power</b>		<b>1</b>	Size 2 (C & C), 2 Power Inserts
		<b>2</b>	Size 2 (A/B & C), 1 Signal & 1 Power Inserts
		<b>3</b>	Size 2 (A/B & A/B), 2 Signal Inserts
		<b>4</b>	Size 2 (C & A/B), 1 Power & 1 Signal Inserts (Reverse #2)
		<b>5</b>	Size 2 (C), 1 Power Insert
		<b>6</b>	Size 2 (A/B), 1 Signal Insert

Contact Amphenol Canada for more information at 416-291-4401 • [www.amphenolcanada.com](http://www.amphenolcanada.com)  
Download 2D drawings & 3D models using our online configurator.

## PART NUMBER KEY

1. RoHS Compliance	2. Connector Series	3. Direction of Cavity	4. Shell Style	5. Shell Size	6. Insert Arrangement	7. Termination	8. Sealing Options	9. Shell Finish	10. Polarization Code	11. Deviation Code
E	MM	A-	P	2	AA	2	E	1	AB	-000



5. SHELL SIZE			
<b>MMC</b> Vertical Size 1 & 2 Power		<b>0</b>	Custom (additional inserts, multiple rows, mixed layouts, etc.)
		<b>1</b>	Size 1 (C & C), 2 Power Inserts
		<b>2</b>	Size 2 & 1(C & C), 2 Power Inserts, Mixed Cavity
		<b>3</b>	Size 2 (C & C), 2 Power Inserts
		<b>4</b>	Size 1 & 2 (C & C), 2 Power Inserts, Mixed Cavity (Reverse #2)
		<b>5</b>	Size 1 (C), 1 Power Insert
	<b>6</b>	Size 2 (C), 1 Power Insert	

5. SHELL SIZE			
<b>MMD</b> Vertical Size 1 & 2 Signal		<b>0</b>	Custom (additional inserts, multiple rows, mixed layouts, etc.)
		<b>1</b>	Size 1 (A/B & A/B), 2 Signal Inserts
		<b>2</b>	Size 2 & 1 (A/B & A/B), 2 Signal Inserts, Mixed Cavity
		<b>3</b>	Size 2 (A/B & A/B), 2 Signal Inserts
		<b>4</b>	Size 1 & 2 (A/B & A/B), 2 Signal Inserts, Mixed Cavity (Reverse #2)
		<b>5</b>	Size 1 (A/B), 1 Signal Insert
	<b>6</b>	Size 2 (A/B), 1 Signal Insert	

# How to Order - MMA, MMB, MMC, MMD



## PART NUMBER KEY

1. RoHS Compliance	2. Connector Series	3. Direction of Cavity	4. Shell Style	5. Shell Size	6. Insert Arrangement	7. Termination	8. Sealing Options	9. Shell Finish	10. Polarization Code	11. Deviation Code
E	MM	A-	P	2	AA	2	E	1	AB	-000

**6. INSERT ARRANGEMENT**  
PAGE 7-9  
1st Letter for Cavity A, 2nd letter for Cavity B. See insert patterns for coded letters on page 7-9

<b>AA</b>	2 Cavity (use letter) (A/B & A/B), (C & C), (A/B & C), (C & A/B)
<b>A</b>	1 Cavity
<b>ZZ</b>	Custom

**7. TERMINATION**

<b>0</b>	Custom
<b>1</b>	Crimp style, contacts not included
<b>2</b>	Crimp style, contacts included
<b>3</b>	PC Tail, .150" Tail ext
<b>4</b>	PC Tail, .250" Tail ext
<b>5</b>	PC Tail, .375" Tail ext
<b>6</b>	PC Tail, Right Angle
<b>7</b>	Mix of Crimp & PC Tail

Fiber & RF Contacts are NOT Included

**8. SEALING OPTIONS**

<b>E</b>	Environmental Inserts w/Face Seal, Shell Seal (plug only) & Grommet
<b>N</b>	Non-environmental Inserts, no Face Seal or Grommet

**9. SHELL FINISH**

<b>1</b>	Electroless Nickel
<b>2</b>	OD Chromate
<b>3</b>	Tin
<b>4</b>	Gold
<b>5</b>	Zinc Nickel
<b>6</b>	Yellow CAD
<b>7</b>	Chem Film
<b>8</b>	Nickel Fluorocarbon Polymer (Durmalon)



## POLARIZATION CODE

POLARIZATION CODE LETTER	RECEPTACLE MATING FACE	PLUG MATING FACE
<b>A</b>		
<b>B</b>		
<b>C</b>		
<b>D</b>		
<b>E</b>		
<b>F</b>		
<b>K</b>	SUPPLIED AS A KIT BUT NOT INSTALLED	
<b>N</b>	NOT SUPPLIED	

**10. POLARIZATION CODE**

<b>XX</b>	1st letter for Cavity A, 2nd for Cavity B
<b>KK</b>	Supplied but not installed
<b>NN</b>	Polarization not supplied

**11. DEVIATION CODE**

<b>-000</b>	Standard connector, no options
<b>-F00</b>	Fixed Inserts
<b>-001</b>	EMI spring (plug only)
<b>-F01</b>	EMI spring (plug only) + fixed inserts
<b>-002</b>	Shell seal
<b>-XXX</b>	Custom code



# Insert Arrangements

## Size 1 Signal (A/B) and Power (C)

Size 1 Signal (A/B)

PART NUMBER					
	<b>C T</b>	<b>Q</b>		<b>Q</b>	<b>C T</b>
	<b>B</b>	<b>J</b>	<b>P</b>	<b>R</b>	<b>S</b>
	30C2 30T2	30Q2	60	4Q4	4C4 4T4
	QTY   Size	QTY   Size	QTY   Size	QTY   Size	QTY   Size
28   22	28   22	60   22	4   8 Q	4   8 C, T	
2   8 C, T	2   8 Q				

PART NUMBER					
	<b>T</b>	<b>U</b>	<b>V</b>	<b>W</b>	<b>Y</b>
	20	8	42	32	DUMMY
	QTY   Size	QTY   Size	QTY   Size	QTY   Size	QTY   Size
	20   16	8   12	42   20	8   16 24   20	

Size 1 Power (C)

PART NUMBER						
	<b>A</b>	<b>C T</b>	<b>Q</b>	<b>F</b>	<b>E</b>	<b>F</b>
	40	5C2 5T2	3Q3	12F12	30	6
	QTY   Size	QTY   Size	QTY   Size	QTY   Size	QTY   Size	QTY   Size
	40   22	2   16 1   12 2   5 C, T	3   8 Q	12   16 F	30   20	6   12

PART NUMBER					
	<b>G</b>	<b>H</b>	<b>J</b>	<b>P</b>	<b>Y</b>
	17	22	5Q2	4	DUMMY
	QTY   Size	QTY   Size	QTY   Size	QTY   Size	QTY   Size
	3   12 14   20	6   16 16   20	2   16 1   12 2   5 Q	4   12	

**C** COAX    **T** TWINAX OR TRIAX    **F** FIBER    **Q** QUADRIX

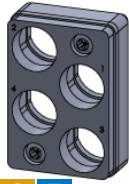
Note: Inserts are interchangeable between Coax, Twinax, and Triax contacts

# Insert Arrangements

## Size 2 Signal (A/B)

MMA

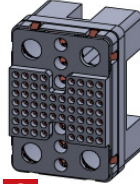
PART NUMBER



A	C T		4C4 4T4
	QTY	Size	
	4	1 C, T	



B	C T		2C2 2T2
	QTY	Size	
	2	1 C, T	



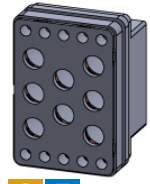
C	Q		68Q4
	QTY	Size	
	62	22	
	6	16	
	4	8 Q	



D	Q		11Q11
	QTY	Size	
	11	8 Q	



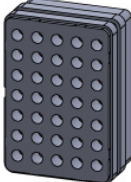
E			24
	QTY	Size	
	24	12	



F	C T		18C8 18T8
	QTY	Size	
	10	16	
	8	8 C, T	



G	C T		10C10 10T10
	QTY	Size	
	10	8 C, T	



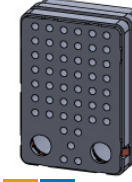
H			35
	QTY	Size	
	35	16	



I			60
	QTY	Size	
	60	20	



J	C T		71C1 71T1
	QTY	Size	
	70	22	
	1	1 C, T	



K	C T		47C2 47T2
	QTY	Size	
	47	20	
	2	8 C, T	



L			110
	QTY	Size	
	100	22	
	5	20	
	5	12	



M	C T		120C2 120T2
	QTY	Size	
	118	22	
	2	8 C, T	



N	Q		120Q2
	QTY	Size	
	118	22	
	2	8 Q	



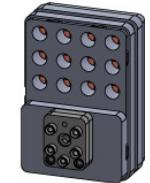
O			121
	QTY	Size	
	110	22	
	6	20	
	5	16	



P			150
	QTY	Size	
	150	22	



Q			126
	QTY	Size	
	120	22	
	6	16	



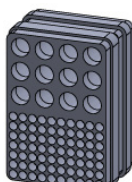
R	F		17CF5
	QTY	Size	
	12	12	
	5	16 F	



S	Q		18Q6
	QTY	Size	
	12	16	
	6	8 Q	



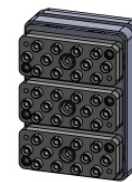
T	F Q		20F12Q8
	QTY	Size	
	12	16 F	
	8	8 Q	



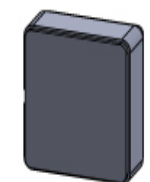
U	C T		82C12 82T12
	QTY	Size	
	70	22	
	12	12 C, T	



V	C T		28C8 28T8
	QTY	Size	
	10	22	
	10	16	
	8	8 C, T	



W	F		36F36
	QTY	Size	
	36	16F	



Y			DUMMY
	QTY	Size	

**C** COAX    **T** TWINAX OR TRIAX

**F** FIBER

**Q** QUADRIX

Note: Inserts are interchangeable between Coax, Twinax, and Triax contacts

# Insert Arrangements

## Size 2 Power (C)

PART NUMBER	 <b>C T</b>		 <b>100</b>		 <b>85</b>		 <b>59</b>		 <b>C T F</b>		 <b>34</b>														
	<b>A</b>	13C2 13T2	QTY	Size	<b>B</b>	100	QTY	Size	<b>C</b>	85	QTY	Size	<b>D</b>	59	QTY	Size	<b>E</b>	62C2 62T2	QTY	Size	<b>F</b>	34	QTY	Size	
		4	20			100	22			80	22			50	22			60	22			24	20		
		3	16							4	20			5	16			2	16			10	16		
		4	12							1	16			4	12			2	8 C, T						
		2	5 C, T																						

PART NUMBER	 <b>Q</b>		 <b>Q</b>		 <b>C T</b>		 <b>Q</b>		 <b>Q</b>		 <b>24</b>														
	<b>G</b>	11Q2	QTY	Size	<b>H</b>	6Q6	QTY	Size	<b>I</b>	6C6 6T6	QTY	Size	<b>J</b>	68Q2	QTY	Size	<b>K</b>	24Q4	QTY	Size	<b>L</b>	24	QTY	Size	
		4	20			6	8 Q			6	8 C, T			68	22			20	20			12	20		
		3	16											2	8 Q			4	8 Q			12	12		
		4	12																						
		2	5 Q																						

PART NUMBER	 <b>C T Q</b>		 <b>C T</b>		 <b>16</b>		 <b>C T</b>		 <b>25</b>		 <b>28</b>														
	<b>M</b>	10C4Q1 10T4Q1	QTY	Size	<b>N</b>	24C4 24T4	QTY	Size	<b>O</b>	16	QTY	Size	<b>P</b>	11C4 11T4	QTY	Size	<b>Q</b>	25	QTY	Size	<b>R</b>	28	QTY	Size	
		5	20			20	20			16	12			11	16			25	16			14	22		
		4	8 C, T			4	8 C, T							4	8 C, T							14	12		
		1	8 Q																						

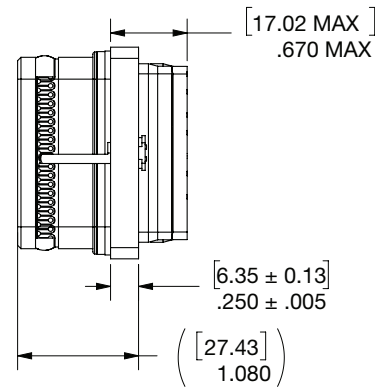
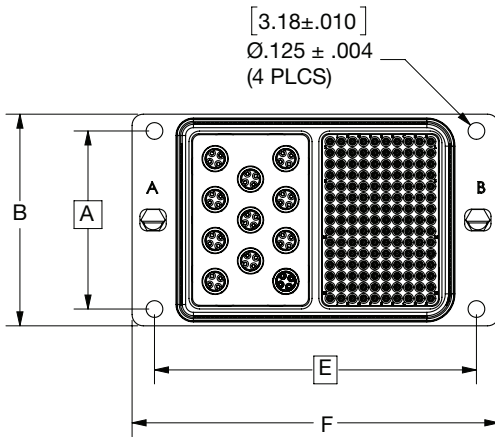
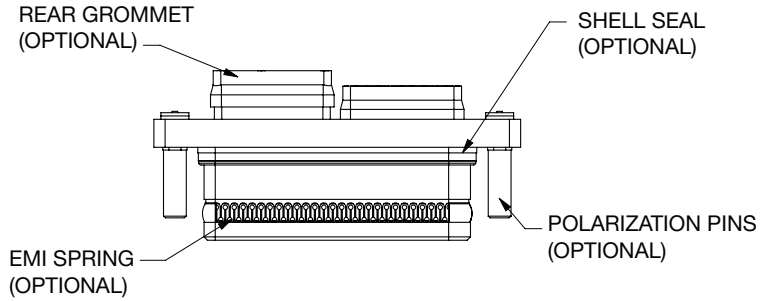
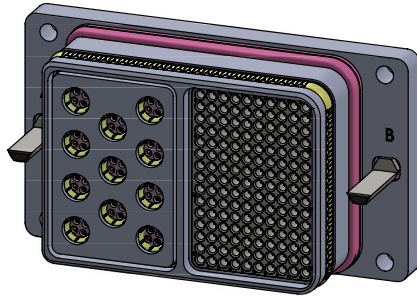
PART NUMBER	 <b>F</b>		 <b>F</b>		 <b>C T F</b>		 <b>C T F</b>		 <b>C T Q</b>		 <b>DUMMY</b>													
	<b>S</b>	24F24	QTY	Size	<b>T</b>	20F12	QTY	Size	<b>U</b>	12F5C2 12F5T2	QTY	Size	<b>V</b>	17F12C2 17F12T2	QTY	Size	<b>W</b>	18C4Q2 18T4Q2	QTY	Size	<b>Y</b>	DUMMY	QTY	Size
		24	16 F			4	20			1	16			3	16			10	22					
						4	12			4	12			2	8 C, T			2	12					
						12	16 F			2	8 C, T			12	16 F			4	12 C, T					
										5	16 F							2	8 Q					

**C** COAX    **T** TWINAX OR TRIAX    **F** FIBER    **Q** QUADRAX

Note: Inserts are interchangeable between Coax, Twinax, and Triax contacts

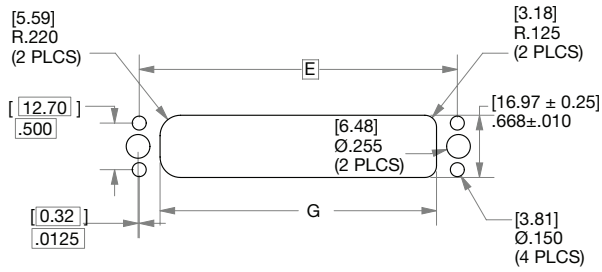
# MMA, MMB, MMC, MMD Plugs

MMA

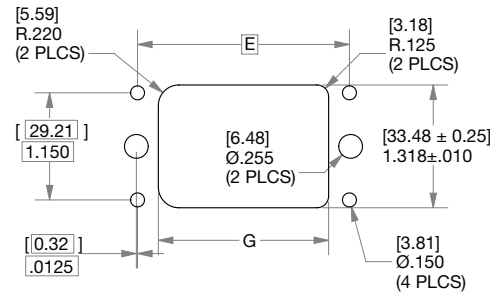


PLUGS											
Series	Shell Size	A	B	E		F		AR600 Insert Size	AR600 Cavity Size	Orientation	No. of Cavities
		in. (mm)	in. ±.010 (mm) ±.25	in.	mm	in. ± .010	mm ± .25				
<b>MMA</b> Horizontal Size 1 Signal & Power	0						Custom				
	1			2.975	75.57	3.375	85.725	1	C-C	Horizontal	2
	2			3.415	86.74	3.815	96.901	1	A-C	Horizontal	2
	3	0.500 (12.7)	0.800 (20.32)	3.855	97.92	4.255	108.077	1	A-A	Horizontal	2
	4			3.415	86.74	3.815	96.901	1	C-A	Horizontal	2
	5			1.765	44.83	2.165	54.991	1	C	Horizontal	1
	6			2.205	56.01	2.605	66.167	1	A	Horizontal	1
<b>MMB</b> Horizontal Size 2 Signal & Power	0						Custom				
	1			2.975	75.57	3.375	85.73	2	C-C	Horizontal	2
	2			3.415	86.74	3.815	96.90	2	A-C	Horizontal	2
	3	1.1 (27.94)	1.4 (35.56)	3.855	97.92	4.255	108.08	2	A-A	Horizontal	2
	4			3.415	86.74	3.815	96.90	2	C-A	Horizontal	2
	5			1.765	44.83	2.165	54.99	2	C	Horizontal	1
	6			2.205	56.01	2.605	66.17	2	A	Horizontal	1
<b>MMC</b> Vertical Size C Power	0						Custom				
	1			1.675	42.55	2.075	52.71	1	C-C	Vertical	2
	2			2.275	57.79	2.675	67.95	2-1	C-C	Vertical	2
	3	1.15 (29.21)	1.45 (35.56)	2.875	73.03	3.275	83.19	2	C-C	Vertical	2
	4			2.275	57.79	2.675	67.95	1-2	C-C	Vertical	2
	5			1.115	28.32	1.515	38.48	1	C	Vertical	1
	6			1.715	43.56	2.115	53.72	2	C	Vertical	1
<b>MMD</b> Vertical Size A Signal	0						Custom				
	1			1.675	42.55	2.075	52.71	1	A-A	Vertical	2
	2			2.275	57.79	2.675	67.95	2-1	A-A	Vertical	2
	3	1.59 (40.39)	1.89 (36.83)	2.875	73.03	3.275	83.19	2	A-A	Vertical	2
	4			2.275	57.79	2.675	67.95	1-2	A-A	Vertical	2
	5			1.115	28.32	1.515	38.48	1	A	Vertical	1
	6			1.715	43.56	2.115	53.72	2	A	Vertical	1

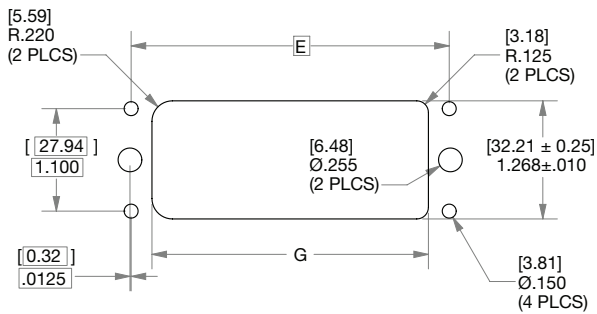
## MMA



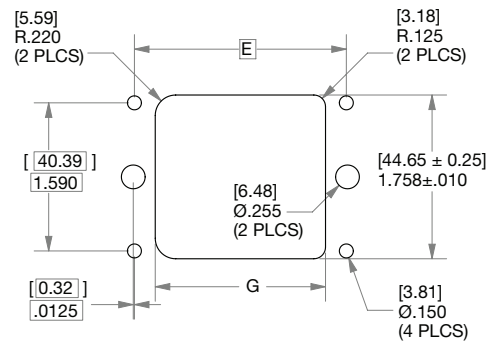
## MMC



## MMB



## MMD



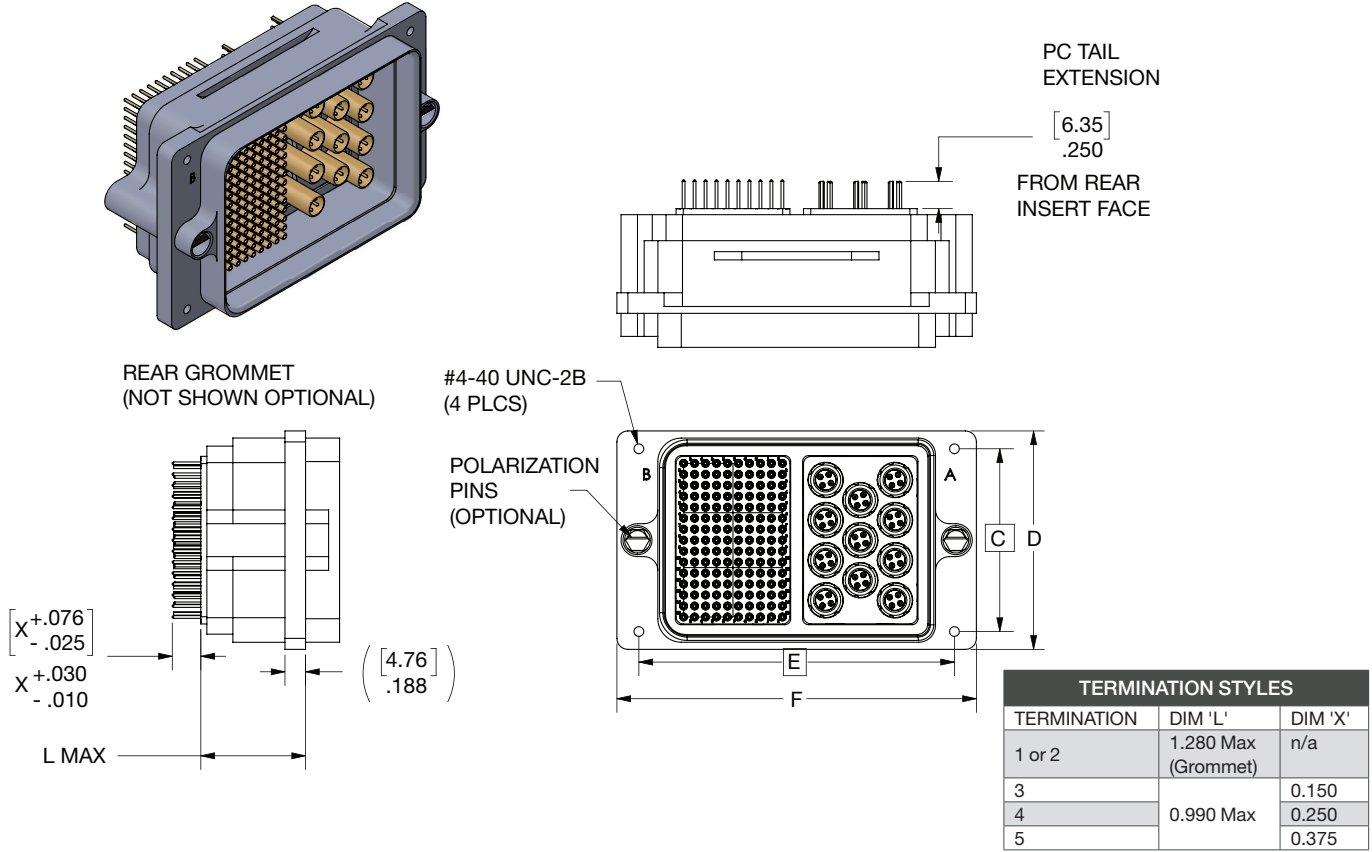
MMA & MMB		
Shell Size	Dimension E	Dimension G
Tolerance	In ±.010 (mm ±.25)	
1	2.975 (75.57)	2.528 (64.21)
2	3.415 (86.74)	2.968 (75.39)
3	3.855 (97.92)	3.408 (85.56)
4	3.415 (86.74)	2.968 (75.39)
5	1.765 (44.83)	1.318 (33.48)
6	2.205 (56.01)	1.758 (44.65)

MMC & MMD		
Shell Size	Dimension E	Dimension G
Tolerance	In ±.010 (mm ±.25)	
1	1.675 (42.54)	1.228 (31.19)
2	2.275 (57.79)	1.828 (46.43)
3	2.875 (73.03)	2.428 (61.67)
4	2.275 (57.79)	1.828 (46.43)
5	1.115 (28.32)	0.668 (16.97)
6	1.715 (43.56)	1.268 (32.21)

Dimensions are shown in inches, (mm).  
All dimensions for reference only.

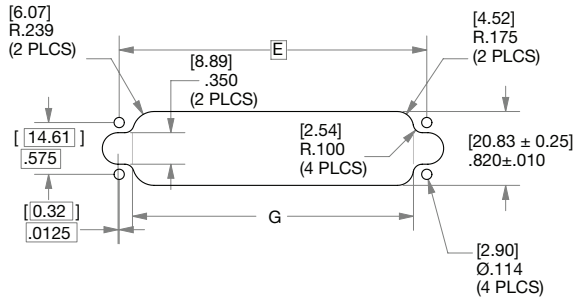
# MMA, MMB, MMC, MMD Receptacles

MMA

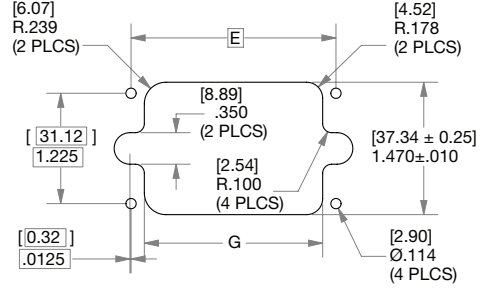


RECEPTACLES														
Series	Shell Size	C		D		E		F		AR600 Insert Size	AR600 Cavity Size	Orientation	No. of Cavities	
		in.	mm	in. ±.010	mm ±.25	in.	mm	in. ±.010	mm ±.25					
<b>MMA</b> Horizontal Size 1	0	Custom												
	1					2.975	75.57	3.375	85.725	1	C-C	Horizontal	2	
	2					3.415	86.74	3.815	96.901	1	A-C	Horizontal	2	
	3	0.575	14.61	0.900	22.86	3.855	97.92	4.255	108.077	1	A-A	Horizontal	2	
	4					3.415	86.74	3.815	96.901	1	C-A	Horizontal	2	
	5					1.765	44.83	2.165	54.991	1	C	Horizontal	1	
	6					2.205	56.01	2.605	66.167	1	A	Horizontal	1	
<b>MMB</b> Horizontal Size 2	0	Custom												
	1					2.975	75.57	3.375	85.73	2	C-C	Horizontal	2	
	2					3.415	86.74	3.815	96.90	2	A-C	Horizontal	2	
	3	1.175	29.85	1.5	38.10	3.855	97.92	4.255	108.08	2	A-A	Horizontal	2	
	4					3.415	86.74	3.815	96.90	2	C-A	Horizontal	2	
	5					1.765	44.83	2.165	54.99	2	C	Horizontal	1	
	6					2.205	56.01	2.605	66.17	2	A	Horizontal	1	
<b>MMC</b> Vertical Size C	0	Custom												
	1					1.675	42.55	2.075	52.71	1	C-C	Vertical	2	
	2					2.275	57.79	2.675	67.95	2-1	C-C	Vertical	2	
	3	1.225	31.12	1.55	39.37	2.875	73.03	3.275	83.19	2	C-C	Vertical	2	
	4					2.275	57.79	2.675	67.95	1-2	C-C	Vertical	2	
	5					1.115	28.32	1.515	38.48	1	C	Vertical	1	
	6					1.715	43.56	2.115	53.72	2	C	Vertical	1	
<b>MMD</b> Vertical Size A	0	Custom												
	1					1.675	42.55	2.075	52.71	1	A-A	Vertical	2	
	2					2.275	57.79	2.675	67.95	2-1	A-A	Vertical	2	
	3	1.665	42.29	1.99	50.55	2.875	73.03	3.275	83.19	2	A-A	Vertical	2	
	4					2.275	57.79	2.675	67.95	1-2	A-A	Vertical	2	
	5					1.115	28.32	1.515	38.48	1	A	Vertical	1	
	6					1.715	43.56	2.115	53.72	2	A	Vertical	1	

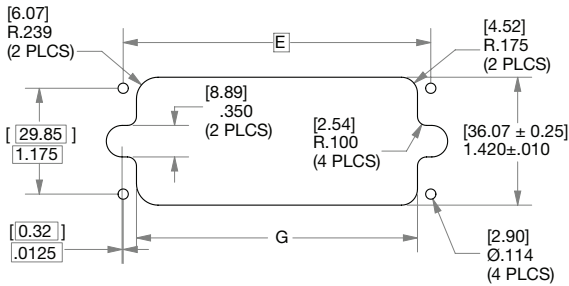
## MMA



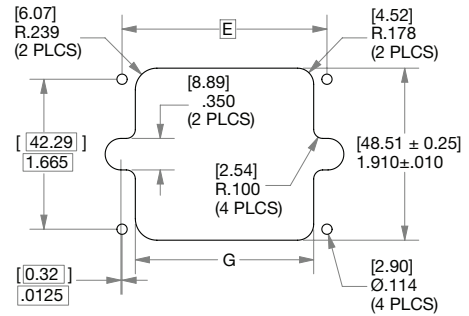
## MMC



## MMB



## MMD

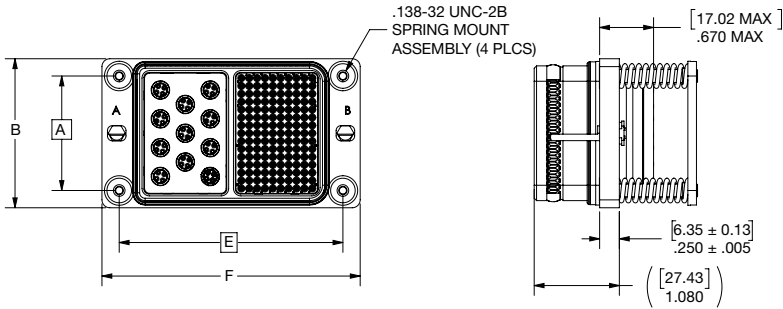
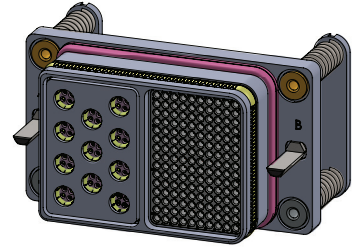


MMA & MMB		
Shell Size	Dimension E	Dimension G
Tolerance	In ± .010 (mm ± .25)	
1	2.975 (75.57)	2.680 (67.07)
2	3.415 (86.74)	3.120 (79.25)
3	3.855 (97.92)	3.560 (90.42)
4	3.415 (86.74)	3.120 (79.25)
5	1.765 (44.83)	1.470 (37.34)
6	2.205 (56.01)	1.910 (48.51)

Dimensions are shown in inches, (mm).  
All dimensions for reference only.

MMC & MMD		
Shell Size	Dimension E	Dimension G
Tolerance	In ± .010 (mm ± .25)	
1	1.675 (42.54)	1.380 (35.05)
2	2.275 (57.79)	1.980 (50.29)
3	2.875 (73.03)	2.580 (65.53)
4	2.275 (57.79)	1.980 (50.29)
5	1.115 (28.32)	0.820 (20.83)
6	1.715 (43.56)	1.420 (36.07)

# Plug Shell Dimensions Float Mount Springs



PLUG SHELL DIMENSIONS WITH FLOAT MOUNT SPRINGS

Series	Shell Size	A In (mm)	B In ±.010 (mm) ±.25	E		F		AR600 Insert Size	AR600 Cavity Size	Orientation	No. of Cavities
				In.	mm	In ±.010	mm ±.25				
<b>MMA HORIZONTAL SZ 1</b>	0	CUSTOM									
	1	.481 (12.21)	0.8 (20.32)	2.906	73.81	3.375	85.725	1	C-C	Horizontal	2
	2			3.346	84.99	3.815	96.901	1	A-C	Horizontal	2
	3			3.786	96.16	4.255	108.077	1	A-A	Horizontal	2
	4			3.346	84.99	3.815	96.901	1	C-A	Horizontal	2
	5			1.696	43.08	2.165	54.991	1	C	Horizontal	1
	6			2.136	54.25	2.605	66.167	1	A	Horizontal	1

<b>MMB HORIZONTAL SZ 2</b>	0	CUSTOM									
	1	1.081 (27.46)	1.4 (35.56)	2.906	73.81	3.375	85.73	2	C-C	Horizontal	2
	2			3.346	84.99	3.815	96.90	2	A-C	Horizontal	2
	3			3.786	96.16	4.255	108.08	2	A-A	Horizontal	2
	4			3.346	84.99	3.815	96.90	2	C-A	Horizontal	2
	5			1.696	43.08	2.165	54.99	2	C	Horizontal	1
	6			2.136	54.25	2.605	66.17	2	A	Horizontal	1

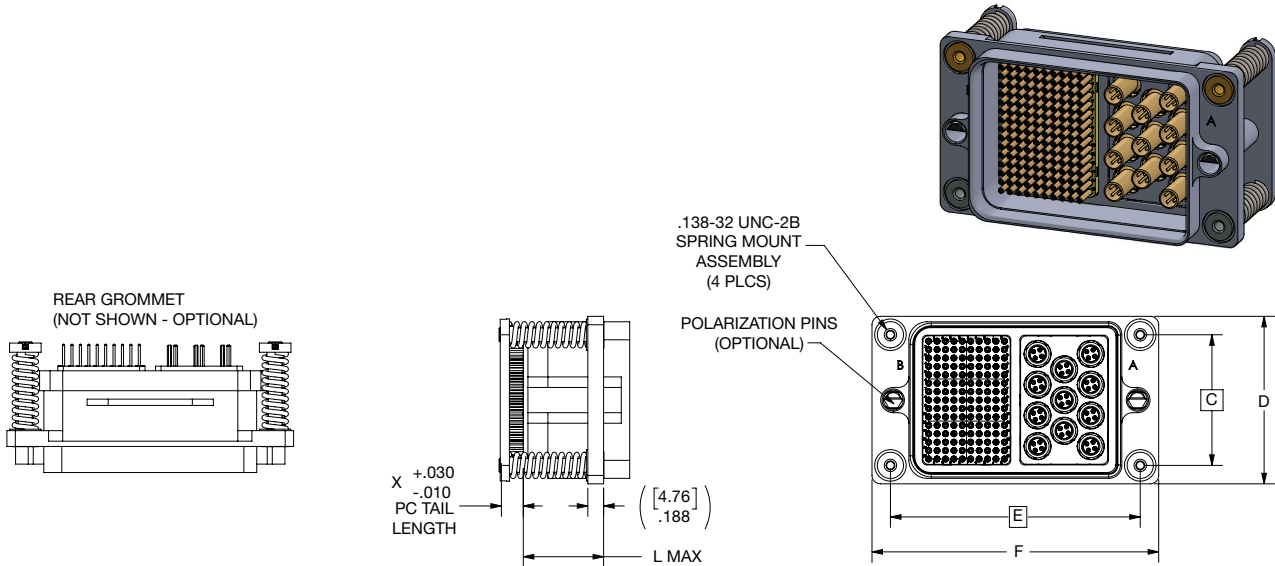
<b>MMC VERTICAL SZ 'C'</b>	0	CUSTOM									
	1	1.131 (28.73)	1.45 (36.83)	1.606	40.79	2.075	52.71	1	C-C	Vertical	2
	2			2.206	56.03	2.675	67.95	2-1	C-C	Vertical	2
	3			2.806	71.27	3.275	83.19	2	C-C	Vertical	2
	4			2.206	56.03	2.675	67.95	1-2	C-C	Vertical	2
	5			1.046	26.57	1.515	38.48	1	C	Vertical	1
	6			1.646	41.81	2.115	53.72	2	C	Vertical	1

<b>MMD VERTICAL SZ 'A'</b>	0	CUSTOM									
	1	1.571 (39.91)	1.89 (48.01)	1.606	40.79	2.075	52.71	1	A-A	Vertical	2
	2			2.206	56.03	2.675	67.95	2-1	A-A	Vertical	2
	3			2.806	71.27	3.275	83.19	2	A-A	Vertical	2
	4			2.206	56.03	2.675	67.95	1-2	A-A	Vertical	2
	5			1.046	26.57	1.515	38.48	1	A	Vertical	1
	6			1.646	41.81	2.115	53.72	2	A	Vertical	1

Contact Amphenol Canada for more information at 416-291-4401 • [www.amphenolcanada.com](http://www.amphenolcanada.com)  
Download 2D drawings & 3D models using our online configurator.



# Receptacle Shell Dimensions Float Mount Springs



RECEPTACLE SHELL DIMENSIONS WITH FLOAT MOUNT SPRINGS

Series	Shell Size	C In (mm)	D In ±.010 (mm) ±.25	E		F		AR600 Insert Size	AR600 Cavity Size	Orientation	No. of Cavities
				In	mm	In ±.010	mm ±.25				
<b>MMA HORIZONTAL SZ 1</b>	0			CUSTOM							
	1	.556 (14.13)	0.9 (22.86)	2.906	73.81	3.506	89.0524	1	C-C	Horizontal	2
	2			3.346	84.99	3.946	100.2284	1	A-C	Horizontal	2
	3			3.786	96.16	4.386	111.4044	1	A-A	Horizontal	2
	4			3.346	84.99	3.946	100.2284	1	C-A	Horizontal	2
	5			1.696	43.08	2.296	58.3184	1	C	Horizontal	1
	6			2.136	54.25	2.736	69.4944	1	A	Horizontal	1

<b>MMB HORIZONTAL SZ 2</b>	0			CUSTOM							
	1	1.156 (29.37)	1.5 (38.10)	2.906	73.81	3.506	89.05	2	C-C	Horizontal	2
	2			3.346	84.99	3.946	100.23	2	A-C	Horizontal	2
	3			3.786	96.16	4.386	111.40	2	A-A	Horizontal	2
	4			3.346	84.99	3.946	100.23	2	C-A	Horizontal	2
	5			1.696	43.08	2.296	58.32	2	C	Horizontal	1
	6			2.136	54.25	2.736	69.49	2	A	Horizontal	1

<b>MMC VERTICAL SZ 'C'</b>	0			CUSTOM							
	1	1.206 (30.64)	1.55 (39.37)	1.606	40.79	2.206	56.03	1	C-C	Vertical	2
	2			2.206	56.03	2.806	71.27	2-1	C-C	Vertical	2
	3			2.806	71.27	3.406	86.51	2	C-C	Vertical	2
	4			2.206	56.03	2.806	71.27	1-2	C-C	Vertical	2
	5			1.046	26.57	1.646	41.81	1	C	Vertical	1
	6			1.646	41.81	2.246	57.05	2	C	Vertical	1

<b>MMD VERTICAL SZ 'A'</b>	0			CUSTOM							
	1	1.646 (41.81)	1.99 (50.55)	1.606	40.79	2.206	56.03	1	A-A	Vertical	2
	2			2.206	56.03	2.806	71.27	2-1	A-A	Vertical	2
	3			2.806	71.27	3.406	86.51	2	A-A	Vertical	2
	4			2.206	56.03	2.806	71.27	1-2	A-A	Vertical	2
	5			1.046	26.57	1.646	41.81	1	A	Vertical	1
	6			1.646	41.81	2.246	57.05	2	A	Vertical	1

# Contact Data & Plugs



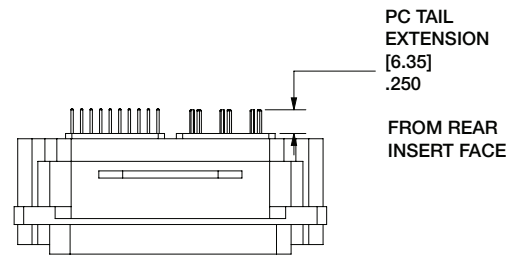
Contacts for Amphenol ARINC 600 Rack and Panel Connectors can be ordered separately. Use part numbers shown in the charts below for ordering contacts and applicable tools. For further information consult Amphenol Canada Corporation



## CRIMP CONTACTS

Contact Type	Size	Receptacle		Plug		Installation/ Removal Tool	Crimp Tool	Positioner	AWG	MAX Insulation Dia.
		Type	Part No.	Type	Part No.					
Signal	22	Socket	AC-782222-301	Pin	AC-772222-301	M81969/1-01	M22520/2-01	M22520/2-23	22, 24 & 26	0.052"
Power	20	Pin	AC-772020-302	Socket	AC-782020-302	M81969/1-02	M22520/2-01	M22520/2-08	20, 22 & 24	0.060"
	16		AC-771616-303		AC-781616-303	M81969/1-03	M22520/1-01	M22520/1-02	16, 18 & 20	0.080"
	12		AC-771212-304		AC-781212-304	M81969/28-02	M22520/1-01	M22520/1-11	12 & 14	0.114"

Contacts are rear release



## PCB TAILS FOR SIGNAL AND POWER

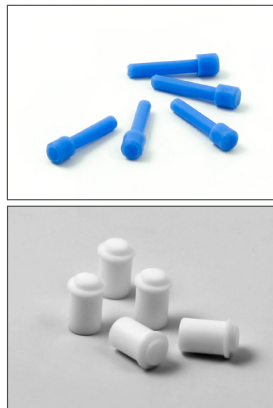
Contact Type	Size	PCB STD DIA ± .002"	Receptacle		Plug		PC Tail Ext "XX"				"Z"	PC Tail Dip	Removal Tool
			Type	Part No.	Type	Part No.	0.250"	0.150"	.375"	0.500"			
Signal	22	0.025"	Socket	AC-7822XX-801	Pin	AC-7722XX-Z01	00	02	03	04	G = Gold S = Solder T = Tin	485-937-22	
Power	20	0.032"	Pin	AC-7720XX-Z01	Socket	AC-7820XX	00	02	03	04		485-937-20	
	16	0.050"		AC-7716XX-Z01		AC-7816XX	00	02	03	04		485-937-16	
	12	0.081"		AC-7712XX-Z01		AC-7812XX	00	02	06	04		485-937-12	

Receptacles are front release, plugs are rear release

## FILLER PLUGS

Contact Cavity Size	Amphenol Part Numbers	EMI Electroless Nickel Plated
22	AC-660022-701	AC-660022-E01
20	AC-660020-701	AC-660020-E01
16	AC-660016-701	AC-660016-E01
16 Fiber	AC-660016F-701	AC-660016F-E01
12	AC-660012-701	AC-660012-E01
8 Coax	AC-660008-701	AC-660008-E01
5 Coax (Plug)	AC-660005-701	AC-660005-E01
5 Coax (Recept.)	AC-660004-701	AC-660004-E01

Note: Filler plugs are for non-environmental connectors.



## SEALING PLUGS

Contact Cavity Size	Amphenol Part Numbers	Color
22	AC-660022-801	Black
20	AC-660020-801	Red
16	AC-660016-801	Blue
12	AC-660012-801	Yellow
8 Coax	AC-660008-801	Red



## FRONT RELEASE PC TAIL CONTACTS FOR COAX, QUADRAx AND TWINAX

Contact Type	Size	Receptacle		Plug		PC Tail EXT "XX"			
		Type	Part No.	Type	Part No.	0.250"	0.150"	.375"	0.500"
Coax	5	Pin	AC-6C05PP01-XX	Socket	AC-6C05SP01-XX	00	02	03	04
	8		AC-6C08PP01-XX		AC-6C08SP01-XX	00	02	03	04
QuadraX	8		AC-6Q08PP01-XX		AC-6Q08SP01-XX	00	02	03	04
Twinax	8		AC-6T08PP01-XX		AC-6T08SP01-XX	00	02	06	04

For other contact lengths, please contact the factory or Amphenol Canada.

## TRANSCEIVERS

Protocol	Size	Transmitting Pin	Receiving Pin
801	8	AC-6A08PP01-01	AC-6B08PP01-01
ELIO		AC-6A08PP02-01	AC-6B08PP02-01

## PROTECTIVE **COVERS**

Conductive covers for MMA, MMB, MMC and MMD connectors can be ordered from the charts below. These covers are designed to protect equipment against the risks of electrostatic discharge, and are made of self-extinguishing polyethylene with graphite filler.

RECEPTACLE CONDUCTIVE COVERS				
Shell Size	MMA	MMB	MMC	MMD
1	EMMA-2000-110	EMMB-2000-110	EMMC-2000-110	EMMD-2000-110
2	EMMA-2000-210	EMMB-2000-210	EMMC-2000-210	EMMD-2000-210
3	EMMA-2000-310	EMMB-2000-310	EMMC-2000-310	EMMD-2000-310
4	EMMA-2000-410	EMMB-2000-410	EMMC-2000-410	EMMD-2000-410
5	EMMA-2000-510	EMMB-2000-510	EMMC-2000-510	EMMD-2000-510
6	EMMA-2000-610	EMMB-2000-610	EMMC-2000-610	EMMD-2000-610

PLUG CONDUCTIVE COVERS				
Shell Size	MMA	MMB	MMC	MMD
1	EMMA-2000-100	EMMB-2000-100	EMMC-2000-100	EMMD-2000-100
2	EMMA-2000-200	EMMB-2000-200	EMMC-2000-200	EMMD-2000-200
3	EMMA-2000-300	EMMB-2000-300	EMMC-2000-300	EMMD-2000-300
4	EMMA-2000-400	EMMB-2000-400	EMMC-2000-400	EMMD-2000-400
5	EMMA-2000-500	EMMB-2000-500	EMMC-2000-500	EMMD-2000-500
6	EMMA-2000-600	EMMB-2000-600	EMMC-2000-600	EMMD-2000-600

# RF Contacts

MMA



CRIMPED  
PIN



CRIMPED  
SOCKET



TYPE	SIZE	RECEPTACLE		PLUG		CABLE TYPE	TECHNICAL NOTES					"X" = BOOT TYPE		
		Type	Part No.	Type	Part No.		Inner Crimp	Positioner	Outer	Die	Removal Tool			
RF	1		AC-6C01PC01-01		AC-6C01SC01-01	RG214 & RG393	NA	NA	NA	NA	NA			
	5	Coax Pin	AC-6C05PC01-01X	Coax Socket	AC-6C05SC01-01X	RG142, RG400	M22520/2-01	"K345 SETTING 8 (RG142) SETTING 6 (RG400)"	M22520/5-01	M22520/5-05	M81969/28-01	A = Non-Enviro w/Alignment Boot		
			AC-6C05PC01-02X		AC-6C05SC01-02X	RG58/U							"K345 SETTING 5"	"Y586 SETTING B"
			AC-6C05PC01-03X		AC-6C05SC01-03X	RD174, RG179, RG316							"K345 SETTING 5 or 6"	M22520/5-05
	8		AC-6C08PC01-01X		AC-6C08SC01-01X	RG179	M22520/2-01	"K345 SETTING 7"	M22520/5-01	"M22520/5-05 HEX B (.178 FLATS)"	"M81969/29-2 (or 485-952)"	N = Non-Enviro w/o Alignment Boot (NO BOOT)		
	8	Quadrax Pin	AC-6Q08PC01-01X	Quadrax Socket	AC-6Q08SC01-01X	"DRAKA FILICA F4703-3 & F4704-4, NEXANS FILOTEK ABS1503KD24/ET2PF870"	M22520/2-01	"K709 SETTING 5"	M22520/5-01	"M22520/5-45 SETTING B"	485-952	E = Enviro w/ Sealing & Alignment Boot		
			AC-6Q08PC01-02X		AC-6Q08SC01-02X	TENSOLITE NF24Q100, 24443/03130X-4(LD), 24443/9P025X-4(LD), BOEING S280W502-4								
			AC-6Q08PC01-03X		AC-6Q08SC01-03X	"TENSOLITE 26743102006X-4(LD) or GORE RCN832B"								
	8	Twinax Pin	AC-6T08PC01-01X	Twinax Socket	AC-6T08SC01-01X	TENSOLITE 24463/9P025X-2(LD)	AFM-2	"K1168 SETTING 6"	M22520/5-01	"Y586 SETTING B"	M81969/28-03	T = Enviro for Tight Spacing w/ Sealing & Alignment Boot		
			AC-6T08PC01-02X		AC-6T08SC01-02X	GORE GSC-12-2548-00								
			AC-6T08PC01-03X		AC-6T08SC01-03X	GRUMMAN GC875TM24H								



1.	2.	3.	4.	5.	6.	7.
Connector Series	Backshell	Shell Style	Size	Style	Plating	Customer Number
<b>MMX-</b>	<b>B</b>	<b>P</b>	<b>2</b>	<b>E</b>	<b>1</b>	<b>-000</b>

## 1. CONNECTOR SERIES

**MMX-** Series

## 2. BACK SHELL

**B** Backshell

## 3. SHELL STYLE

**P** Plug

**R** Receptacle

## 4. SIZE

**1** CAV C-C (Dual Bay)

**2** CAV A-C (Dual Bay)

**3** CAV A-A (Dual Bay)

**4** CAV C (Single Bay)

**5** CAV A (Single Bay)

## 5. STYLE

**A** Split, Saddle Clamp

**B** Split, EMI Band

**C** Sealed, EMI Band

**D** Threaded Adapter

**E** Split, Strain Relief

**F** Sealed, Strain Relief

**G** Sealed, Saddle Clamp

## 6. PLATING

**1** Electroless Nickel

**2** OD Chromate

**3** Tin

**4** Gold

**5** Zinc Nickel

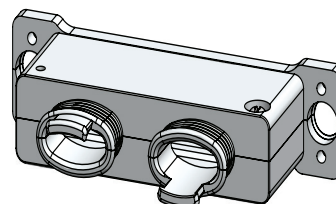
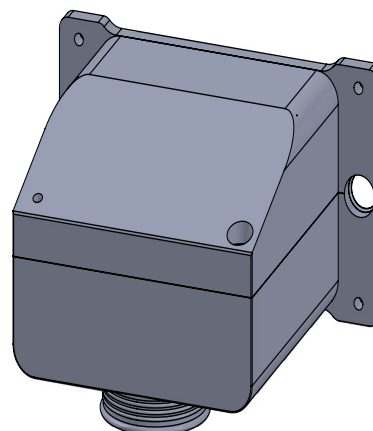
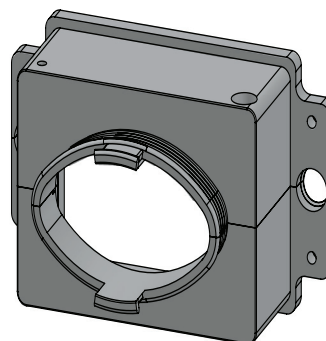
**6** Yellow CAD

**7** Chem Film

**8** Nickel Fluorocarbon Polymer (Durmalon)

## 7. CUSTOMER NUMBER

**-000** Customer Number



## FILTER CONNECTOR DESIGN

Filter connectors have been used for over thirty years to provide cost and space effective solutions to EMI problems in a wide range of military and commercial applications including avionics systems, satellites, missiles, communications, control systems and tempest equipment. A low pass filter connector incorporates capacitors and/or ferrite inductors into the connector body. The two capacitor types commonly used in filter connectors for military or avionics applications are planar arrays and tubular capacitors. Each of these capacitor types is an efficient filter at high frequencies (Up to 1GHz) and has been proven to be extremely reliable when suitably assembled into a connector. Both planar and tubular designs feature Amphenol's unique solder-less construction which reduces stress on the ceramic elements and results in superior physical and thermal shock capabilities.

## CAPACITOR TYPES

### PLANAR ARRAY DESIGN

Amphenol Canada's planar design consists of planar ceramic capacitor arrays with optional ferrites assembled concentrically over the contacts and into the connector shell. The planars are compressed between rubber gaskets and have contact springs in each position which form a stress isolated connection with the contact body. The planars are grounded to the shell via a ground spring.

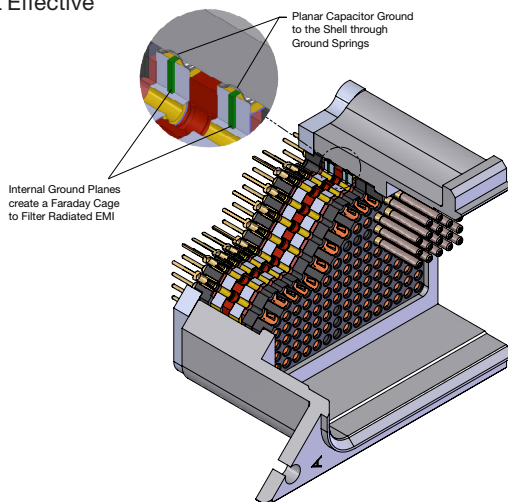
### TUBULAR DESIGN

Amphenol Canada's tubular design consists of a ceramic tubular capacitor assembled onto a machined contact. The filter tube is connected to the contact with conductive rubber washers to provide a stress-isolated contact assembly. Grounding is achieved via a ground plate.

## WHY USE AN ACC FILTER CONNECTOR

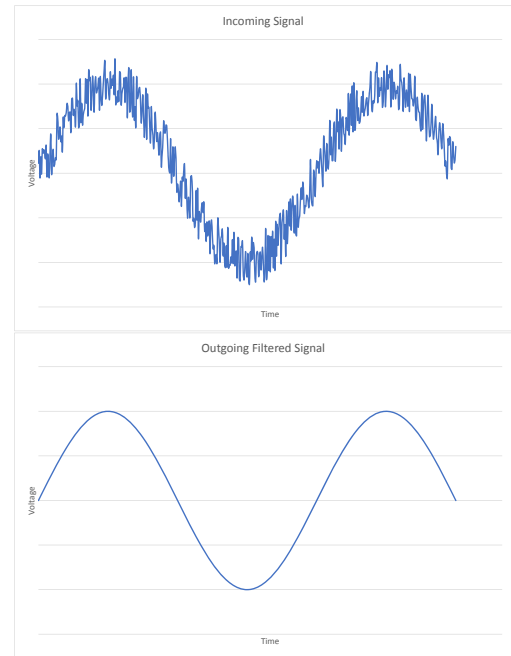
ACC uses a stress-isolated planar array utilizing retention clips instead of solder to electrically connect the planar to the contacts. This provides a more robust and durable design with respect to the typical shock and vibration of aerospace applications. Stress-isolated planar arrays out performs discrete filters by blocking out the radiated EMI as well as filtering out conducted EMI. The ground plate of a tubular design or the internal ground electrodes of a planar design are connected to the shell with minimal aperture size and present an effective barrier to radiated EMI passing through the insert cavity.

- Fewer components = Cost Effective
- Space Saving on the PCB
- Increased Reliability (Solder-less Designs)
- For retrofit applications or late design-in
- Effective against radiated and conducted EMI



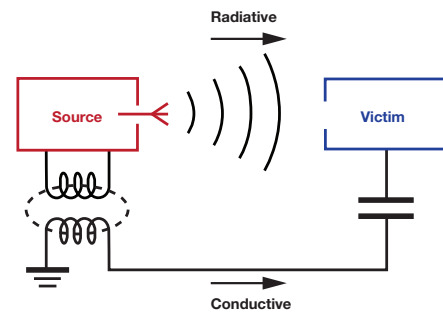
## WHAT DOES A FILTER CONNECTOR DO?

A filtered connector filters out noise and cleans a signal through a low pass filter. They allow low frequency signals to pass through, but filter out the higher frequency signals noise/EMI.



## ELECTROMAGNET INTERFERENCE (EMI) TYPES: CONDUCTED & RADIATED

Once in a system, EMI can distort signals and can interfere with system functionality. EMI can get into the system through conduction or radiation. Conducted EMI travels through the physically connected lines caused by other electronic devices in the system. Radiated EMI travels through air waves and can affect physically isolated lines.



## FILTER CONNECTOR SELECTION

Selection of a particular filter circuit will depend on the required insertion loss characteristics and the system source and load impedances. By arranging the capacitor and ferrites in a variety of combinations a number of equivalent circuits may be attained. The ferrite elements always face the low impedance side of the filter. These filter types are available in a wide range of capacitance and voltage values and may be selected in virtually any combination within the connector insert. In addition to filter contacts, isolated contacts and ground contacts are available.

The following factors may affect the filter performance, and should be considered when selecting a filter connector and Amphenol Canada takes these into account when designing your filter solution.

## FILTER CONNECTOR PARAMETERS

Operating/working voltage is specified for the normal signal line voltage. Dielectric Withstanding Voltage (DWV) is specified for the transient voltage surges.

Operating currents cause magnetic saturation of inductive elements (ferrites). Therefore filters with ferrite inductors (Pi, CL, LC and T) will perform much like C filters as the ferrite approaches saturation. The saturation point can vary by ferrite characteristics and size but typically occurs above 0.1 A. The DC current rating through the contact is much higher and only depends on the contact size.

Capacitance and filters can operate between -55°C to +125°C; however, the performance can degrade with changes in the temperature. Capacitance and insertion loss performance are shown at 25°C. The typical high capacitance (>500pF) dielectric (X7R) has temperature coefficients of ±15% from -55°C to +125°C. The typical low capacitance (<500pF) dielectric (C0G) has a negligible temperature coefficients of ±0.3% from -55°C to +125°C.

Additional transient voltage suppression requirements such as lightning strikes may necessitate the addition of diodes or MOV's to the PCB or in the connector.

## CAPACITOR FILTER (C)

- 20 dB per Frequency Decade Typical Increase in Attenuation Slope
- Used mainly for High Frequency Noise
- With High Source and Load Impedance

## L FILTER (L-C)

- 20 dB per Frequency Decade Typical Increase in Attenuation Slope
- Used where Source and Load Impedance are Dissimilar
- Ferrite Side of Filter is Connected to Lower Impedance Side of Circuit
- Capacitor Side to Higher Impedance Side

## PI FILTER (C-L-C)

- 40 dB per Frequency Decade Typical Increase in Attenuation Slope
- Used where Applications Contain Relatively Higher Source and Load Impedance

## T FILTER (L-C-L)

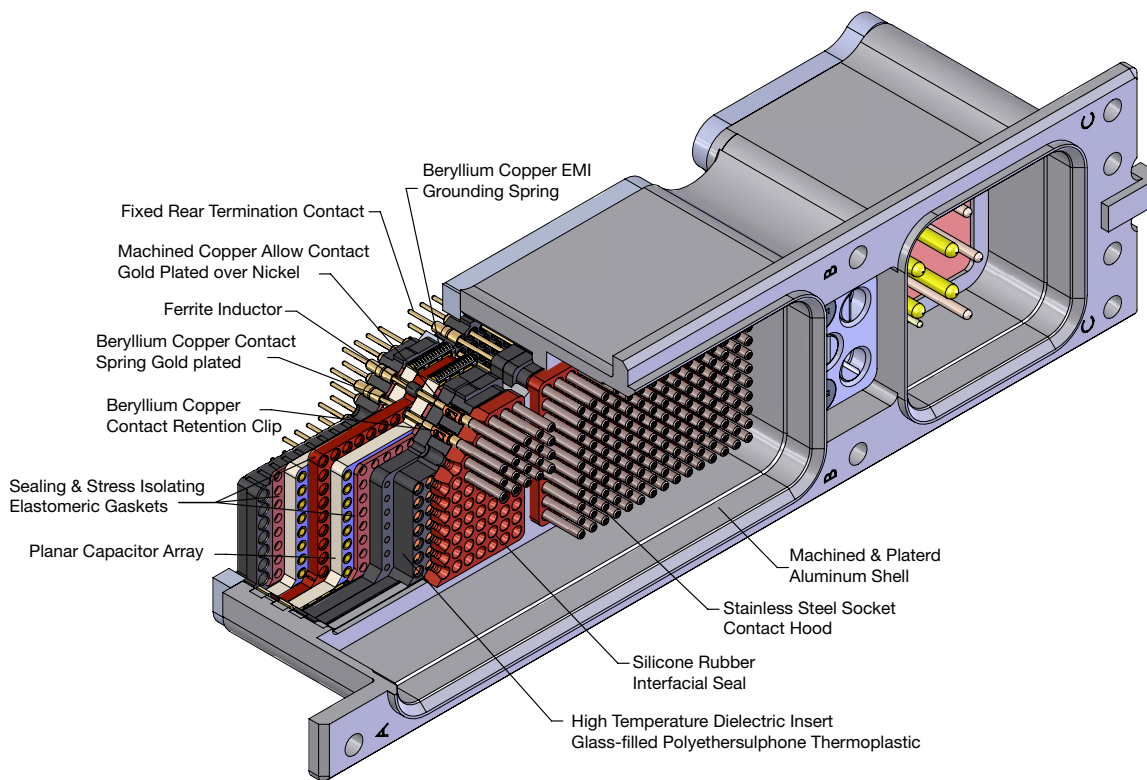
- 20 dB per Frequency Decade Typical Increase in Attenuation Slope
- Used where Applications Contain Low Source and Load Impedance
- Switch-mode Power Supplies are Typical Applications

FILTER TYPES	FILTER CIRCUIT	BEST FILTERING APPLICATION
PI		Unknown or medium source and load Impedance
LC		Low impedance on mating side, high impedance on termination side
CL		High impedance on mating side, low impedance on termination side
C		High source and high load impedance
T		Low source and low load impedance

High source or load impedance >100ohms

Low source or load impedance >10ohms

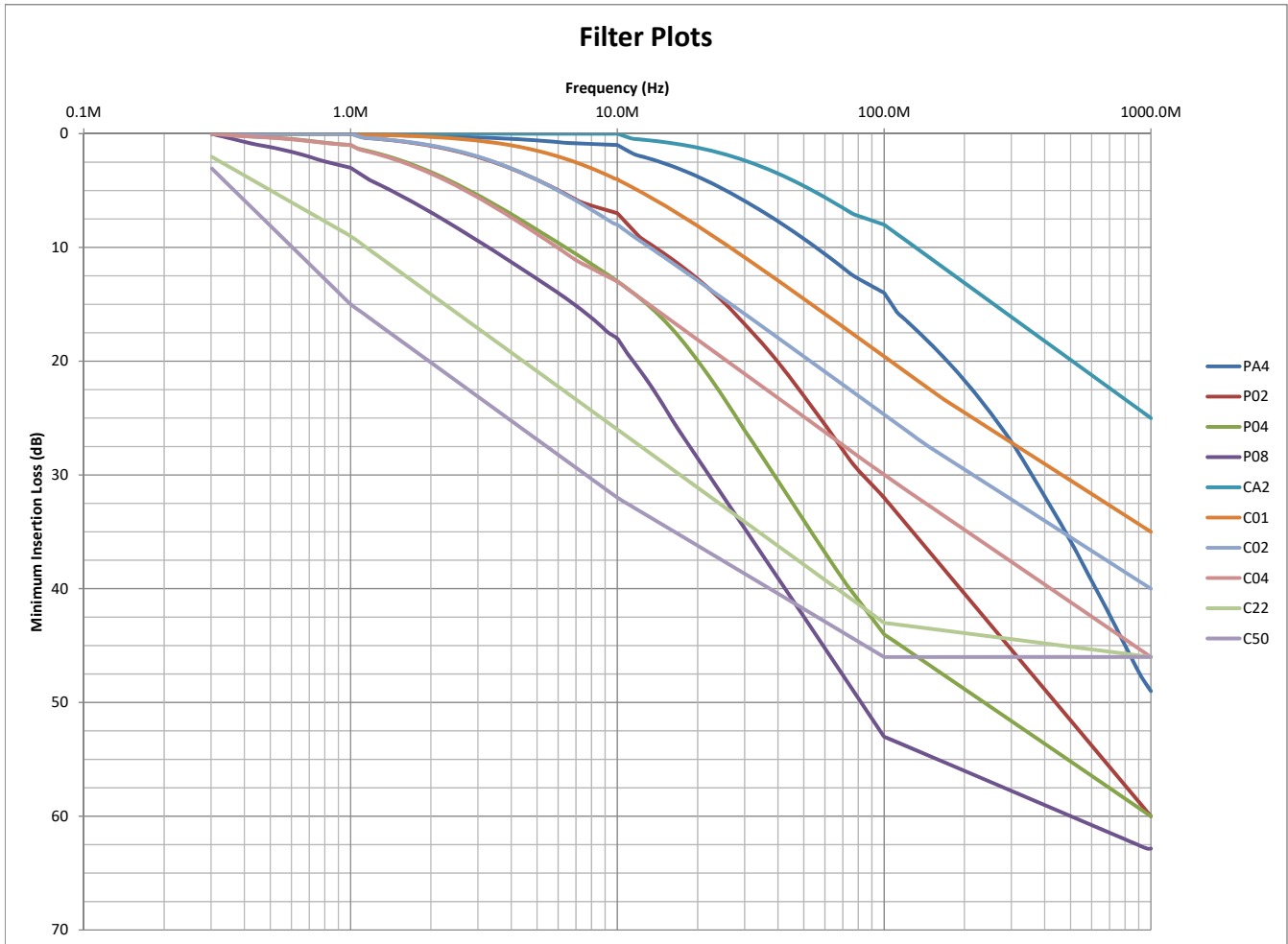
# Filter Construction, Technical Details



TYPE FILTER	PI				C, LC, CL, T						
	PA4	P02	P04	P08	CA2	C01	C02	C04	C22	C50	
Capacitance	400-800 pF	1.8-3.6 nF	4-8 nF	8-16 nF	200-400 pF	0.9-1.8 nF	1.8-3.6 nF	4-8 nF	22-40 nF	50-100 nF	
Insertion Loss (dB)	300 KHz	-	-	-	-	-	-	-	2	3	
	1 MHz	-	-	1	3	-	-	-	1	9	
	10 MHz	1	7	13	18	-	4	8	13	26	
	100 MHz	14	32	44	53	8	20	25	30	43	
	1 GHz	49	60	60	63	25	35	40	46	46	
Working voltage (VDC) (@ 25° & sea level)	200										
Dielectric Withstand voltage (VDC) (@ 25°C & 50 mA max charging current)	500										
Insulation Resistance (Gohms) (min) (@ 25°C & working voltage)	10										
Current Rating by Contact Size (continuous max, DC amperes)	#22 = 5 Amps #20 = 7.5 Amps #16 = 13 Amps #12 = 23 Amps										
Dissipation Factor @ 1kHz	3% Max										

Note: Other capacitance values, mixed capacitance arrangements, ground and isolated contacts are available. Consult the factory for your particular applications.  
 \*Acceptance testing performance to 1 GHz maximum





# How to Order Filter MMA



## PART NUMBER KEY

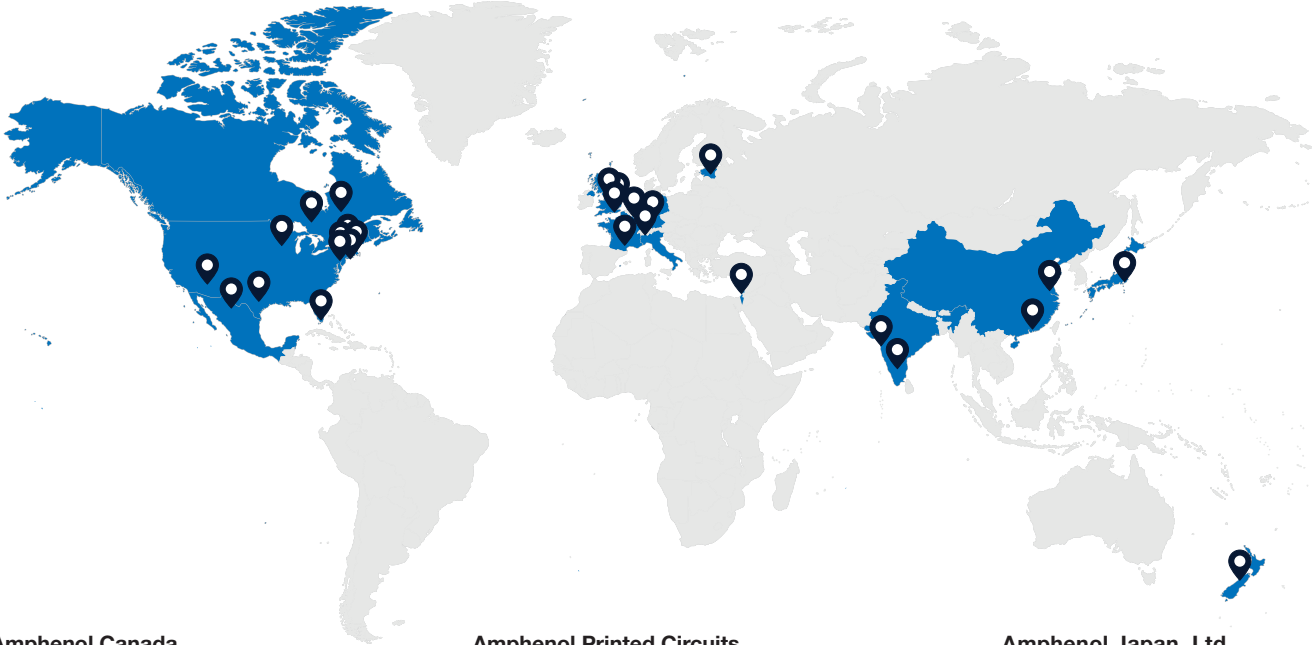
1. Filter	2. Series	3. Class	4. Shell Style	5. Termination Style	6. Connector Size	7. Polarizing Position	8. Customer Number
<b>485-</b>	<b>M</b>	<b>2</b>	<b>R</b>	<b>B</b>	<b>3</b>	<b>KK-</b>	<b>XXX</b>

## STEPS

## PART # DESCRIPTION

<b>1. FILTER</b>	<b>485-</b>	Filter Connector
<b>2. CONNECTOR SERIES</b>	<b>M</b>	MMA
<b>3. CLASS</b>	<b>1</b>	Unsealed
	<b>2</b>	Sealed
<b>4. SHELL STYLE</b>	<b>A</b>	Adapter
	<b>P</b>	Plug
	<b>R</b>	Receptacle
<b>5. TERMINATION STYLE</b>	<b>B</b>	PCB
	<b>S</b>	Solder Cup
	<b>T</b>	Crimp
<b>6. CONNECTOR SIZE</b>	<b>0</b>	Custom Shell
	<b>1</b>	Size 1
	<b>2</b>	Size 2
	<b>3</b>	Size 3
	<b>4</b>	Size 4
	<b>5</b>	Size 5
<b>8. POLARIZING POSITION</b>	<b>XX-</b>	Polarization Code
	<b>KK-</b>	Supplied but not installed
	<b>NN-</b>	Polarization not supplied
<b>9. CUSTOMER NUMBER</b>	<b>XXX</b>	

# Amphenol



## **Amphenol Canada**

5950 14th Avenue  
Markham, ON  
Canada, L3S 3K5  
416-291-4401

## **Amphenol Aerospace Operations**

40-60 Delaware Avenue  
Sidney, NY 13838  
800-678-0141

## **Amphenol Commercial Air Division**

40-60 Delaware Avenue  
Sidney, NY 13838  
800-687-0141

## **Amphenol Nexus Technologies**

316 Courtland Ave.  
Stamford, CT 06906  
203-327-7300

## **Amphenol PCD**

72 Cherry Hill Drive  
Beverly, MA 01915  
978-624-3400

## **Amphenol SV Microwave**

2400 Centrepark West Drive  
West Palm Beach, FL  
561-840-1800

## **Amphenol Times Microwave, Inc.**

358 Hall Avenue  
Wallingford, CT 06492  
800-867-2629

## **Amphenol Fiber Systems International**

1300 Central Expressway North, Suite 100  
Allen, TX 75013  
214-547-2400

## **Amphenol Borisch Technologies**

4511 East Paris AVE  
Grand Rapids, MI 49512  
616-554-9820

## **Amphenol Printed Circuits**

91 Northeastern Boulevard  
Nashua, NH 03062  
603-324-4500

## **Amphenol Invotec**

Unit 1-3, Hedging Lane Industrial Estate  
Dosthill, Tamworth, B77 5HH United Kingdom  
+44 (0) 1827 263250

## **Amphenol Ionix Systems**

Prospect House, Taylor Business Park  
Risley, Warrington, WA3 6HP United Kingdom  
+44 (0) 1942 685200

## **Amphenol Limited**

Thanet Way  
Whitstable, Kent, CT5 3JF United Kingdom  
+44 (0) 1227 773200

## **Amphenol Socapex**

948 Promenade De L'Arve – BP 29  
74311 Thyez France  
+33 (0) 4 50 89 28 00

## **Amphenol Air LB SAS**

2 Rue Clément Ader, Zac de Wé  
08110 Carignan France  
+33 (0) 03 24 22 78 49

## **Amphenol AirLB GmbH**

Am Kleinbahnhof 4  
D-66740 Saarlouis Germany  
+49 (0) 68 31/98 10 0

## **Amphenol SEFEE**

Z.I. des Cazes – BP243  
12402 Saint-Affrique Cedex France  
+33 (0) 5 65 98 11 00

## **Amphenol Interconnect India**

105, Bhosari Industrial Area  
Pune – 411 026 India  
+91 20 27120363

## **Amphenol Japan, Ltd.**

471-1, Deba, Ritto-City  
Shiga, 520 3041 Japan  
+81 77 553 8501

## **Amphenol Martec Limited**

St. Augustines Business Park  
Swalecliffe, Whitstable, Kent  
CT5 2QJ United Kingdom  
+44 (0) 1227 793 733

## **Amphenol Optimize**

Carretera Internacional Km 6.5  
Col. Parque Industrial  
Nogales, Sonora, México. C.P. 84094  
+52 (631) 311-160

## **Amphenol Ionix Systems OÜ**

Pikk Street 59b  
Kuressaare 93815 Estonia  
+372 4521 780

## **AMAO – European Sales Operations**

Via Barbaiana 5  
20020 Lainate Milano, Italy  
+39 02 932 541

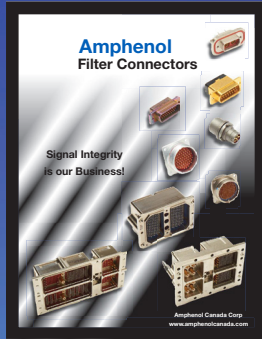
## **Amphenol Bar-Tec Ltd.**

3 Hagavish st  
POB 2479 Kfar-Saba 44641  
Israel  
+972-9-7644100

Notice: Specifications are subject to change without notice. Contact your nearest Amphenol Corporation Sales Office for the latest specifications. All statements, information and data given herein are believed to be accurate and reliable but are presented without guarantee, warranty, or responsibility of any kind expressed or implied. Statements or suggestions concerning possible use of our products are made without representation or warranty that any such use is free of patent infringement and are not recommendations to infringe any patent. The user should not assume that all safety measures are indicated or that other measures may not be required. Specifications are typical and may not apply to all connectors.

# Amphenol CANADA

MILITARY & AEROSPACE



Filter Connectors Catalog



Rectangular Catalog



Microminature Catalog

Visit <http://www.amphenolcanada.com/media> for literature, product data sheets, videos and Patents



R27 Catalog



ARINC 600 Catalog



ARINC 404 Catalog